

230_{VAC}24_{VDC}

BOB50M

BOB5024E

LINEAR WORM SCREWS

patented FACE gears
full metal mechanics
gear and female screw in bronze
personalised release key

up to 5.0 m



CONTROL UNITS:

| | | | |
|-----------------|---|-----------|-----|
| BOB50M | — | BRAINY | 134 |
| | | HEADY | 135 |
| BOB50ME | — | BRAINY | 134 |
| BOB5024E | — | BRAINY24+ | 143 |
| | | BRAINY24 | 144 |



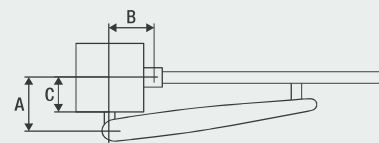
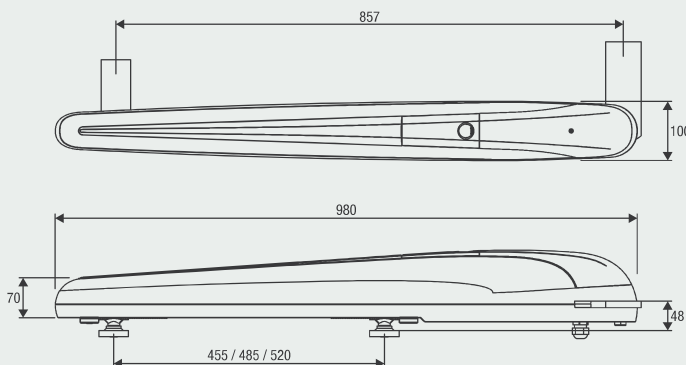
Reliable, quiet, and quick to install geared motor, thanks to its 2 adjustable mechanical stops for opening and closing. Available in the 230 Vac and 24 Vdc versions. Rolled ball screws Ø 20 mm. Easy access release from above.

230 Vac

- Irreversible 230 Vac electromechanical geared motor
- Available in two versions: one with an easily adjustable limit switch (BOB50M) the other with encoder (BOB50ME)
- The encoder device in the BOB50ME version ensures crush prevention and precision in the gate moving phases

24 Vdc | intensive use

- Irreversible 24 Vdc electromechanical geared motor for intensive use, equipped with encoder
- The encoder device ensures maximum safety and precision in the gate moving phases
- Amperometric sensor obstacle detection system to prevent crushing
- Optional battery powered operation



| A (mm) | B (mm) | C (mm) |
|---------|---------|--------|
| 150-225 | 150-225 | 90-155 |

**B5.SR**

Bracket to attach with screws.

**B.P**

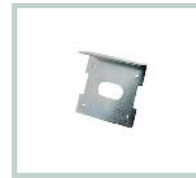
Screw-on plate.

**DU.V96**

12 Vac/dc vertical electric lock, supplied with counterplate. Permits internal/external release.

**DU.V90**

12 Vac/dc horizontal electric lock, supplied with counterplate. Permits internal/external release.

**DU.9990**

Covering plate for DU.V90.

**E.LOCK**

230 Vac vertical electric lock, supplied with counterplate.

**E.LOCKSE**

Extended cylinder for E.LOCK electric lock. It allows unlocking gates up to 55mm-thick from the outside.

**CABLE.24E**

Cable reel with 5 conductors (2 for motor, 3 for encoder) for connecting the encoder device in the 24 Vdc versions. L= 100 m.

**ID.TA**

Warning board.

**IRI.TX4VA**

4-channel transmitter with Advanced Rolling Code and Rolling Code.

**IRI.TX4AK**

4-channel transmitter with Advanced Rolling Code and Fixed Code.

**IRI.LAMP**

White full range flashing light, 20-255 VAC with built-in aerial.

**IRI.KPAD**

Battery operated wireless vandal-proof digital keypad with alert buzzer and backlit buttons. Triple coding: Rolling Code, Programmable Code and Advanced Rolling Code. 254 memorisable codes.

**IRI.CELL**

Pair of vandal-proof metal covers for PUPILLA/PUPILLA.R photocells, comprising front and rear shells with concealed screw. They can maintain perfect orientation over 180°.

**PUPILLA**

Pair of photocells adjustable to 180°. Option to synchronise up to 4 pairs, 24 VAC/DC power supply. Easy adjustment through a LED that signals optimal alignment. Compact size: 36x110x35 mm

**BRAINY24.CB-SW**

Accessory equipped with 1.2 Ah batteries and support bracket.

**BRAINY24.CB**

Accessory with CBY.24V battery charger, 1.2 Ah batteries and support bracket.

| TECHNICAL DATA | BOB50M* | BOB50ME* | BOB5024E* |
|-----------------------|-------------------|-------------------|-------------------|
| Power supply | 230 Vac (50-60Hz) | 230 Vac (50-60Hz) | 230 Vac (50-60Hz) |
| Motor supply | 230 Vac | 230 Vac | 24 Vdc |
| Max absorbed current | 1,4 A | 1,4 A | 6,7 A |
| Max Thrust | 3500 N | 3500 N | 2200 N |
| Opening time | 26" | 26" | 21" |
| Duty cycle | 30% | 30% | intensive use |
| Standard stroke | 455 mm | 455 mm | 455 mm |
| Max stroke | 520 mm | 520 mm | 520 mm |
| Protection level | IP44 | IP44 | IP44 |
| Encoder | NO | YES | YES |
| Operating temperature | -20°C /+50°C | -20°C /+50°C | -20°C /+50°C |
| Leaf max dimension | 5 m | 5 m | 5 m |
| Weight | 11,6 kg | 11,6 kg | 10,2 kg |
| Items no. per pallet | 30 | 30 | 30 |

* Available in 115 VAC version